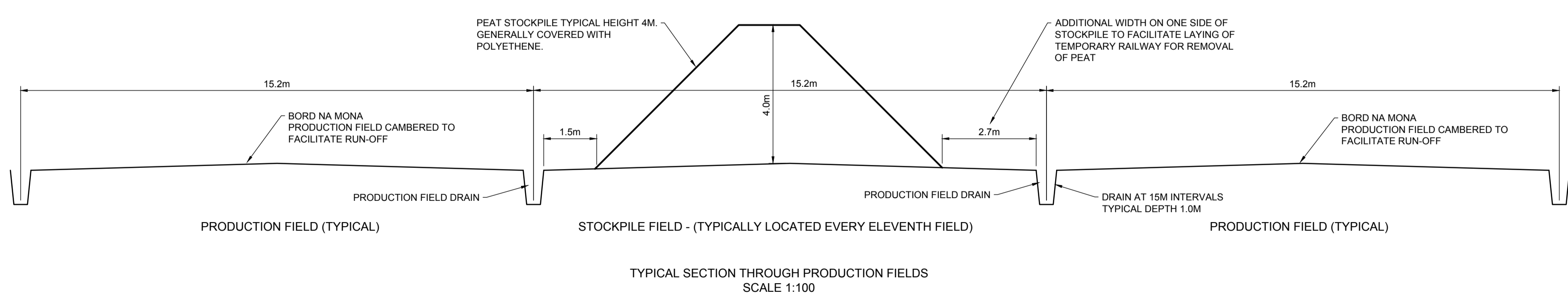
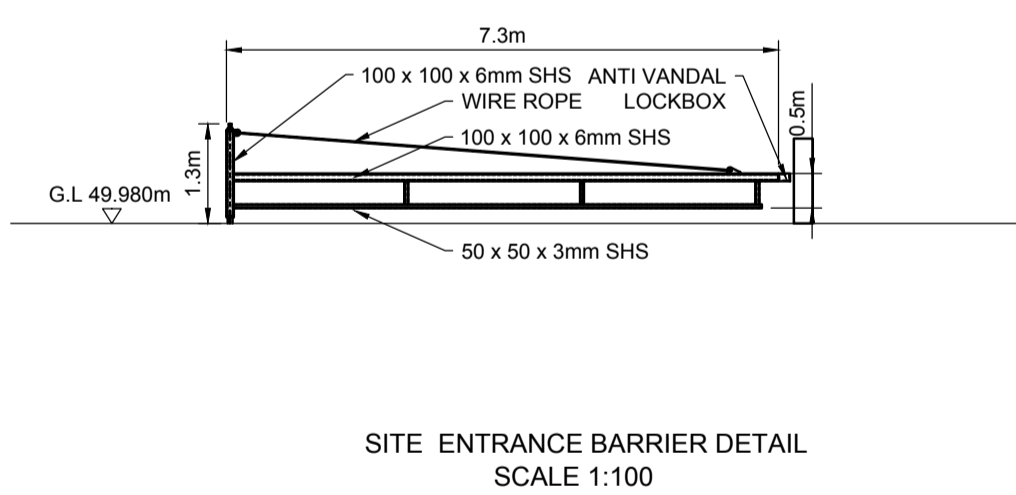
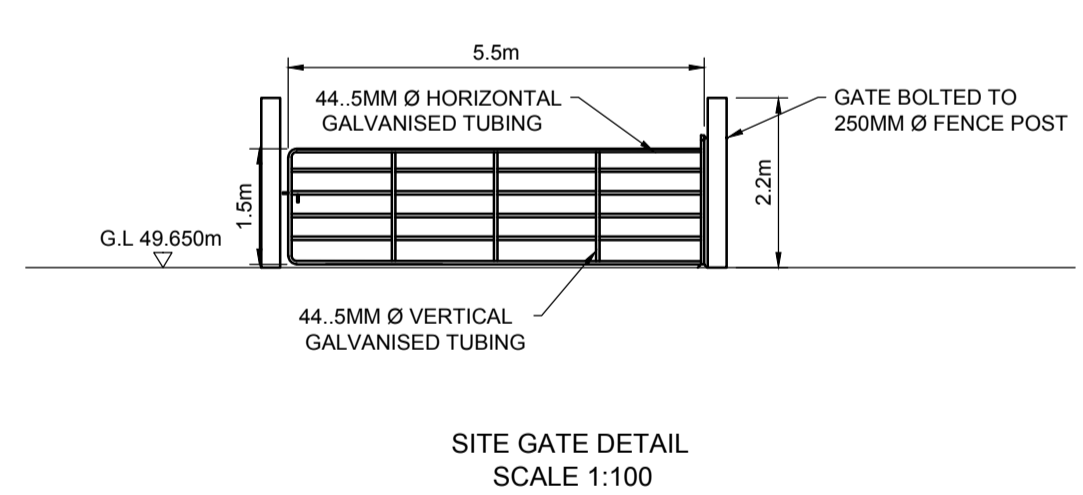
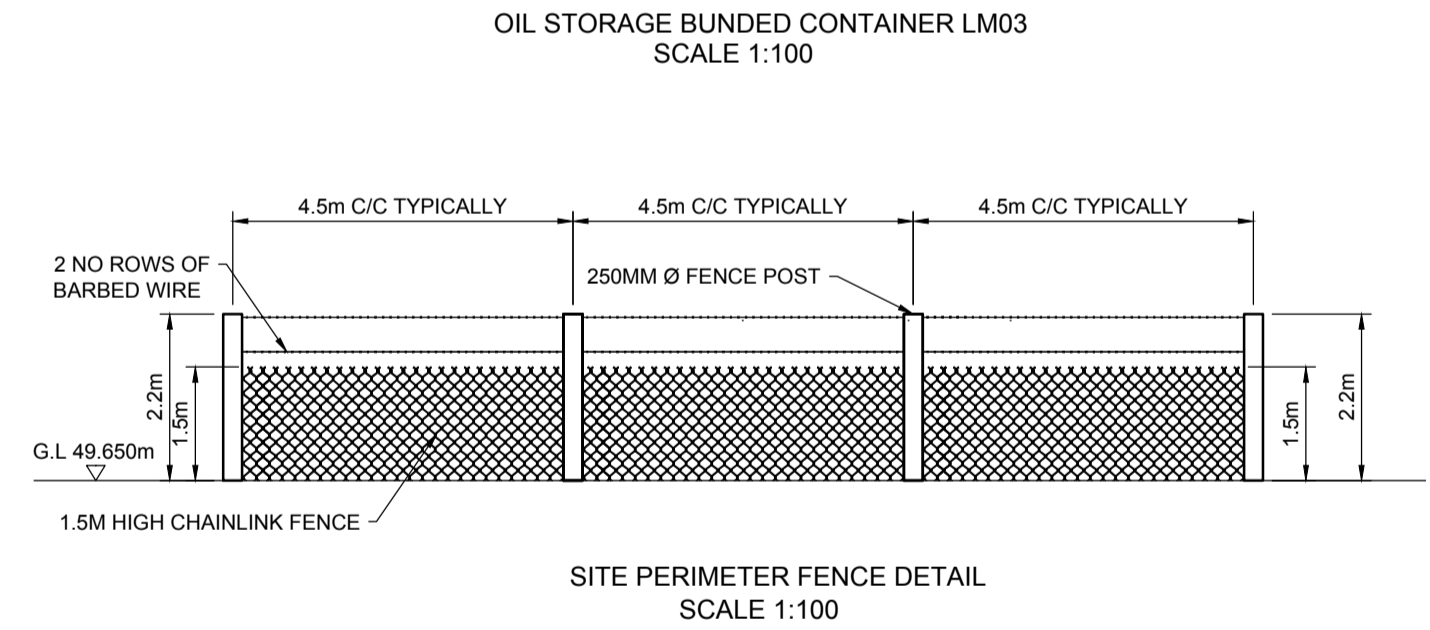
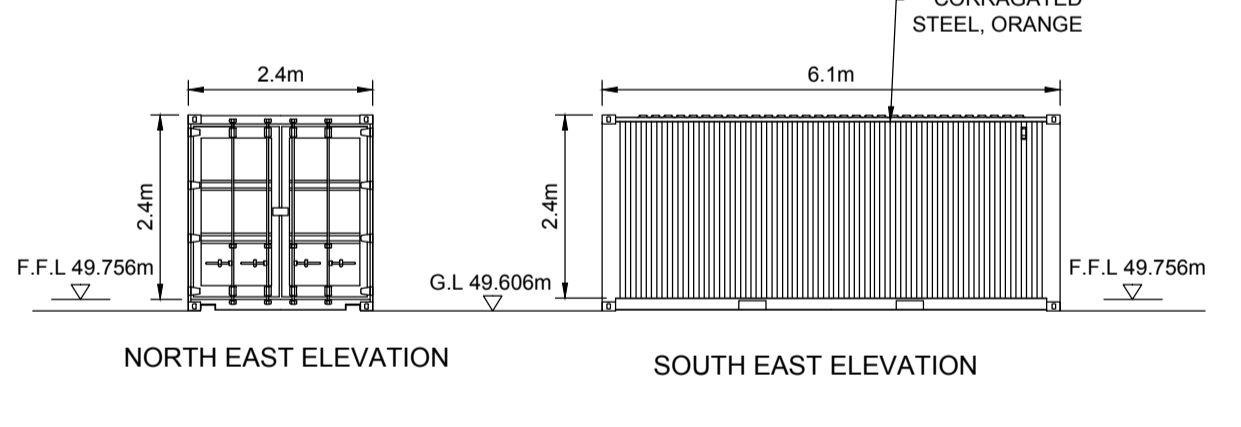
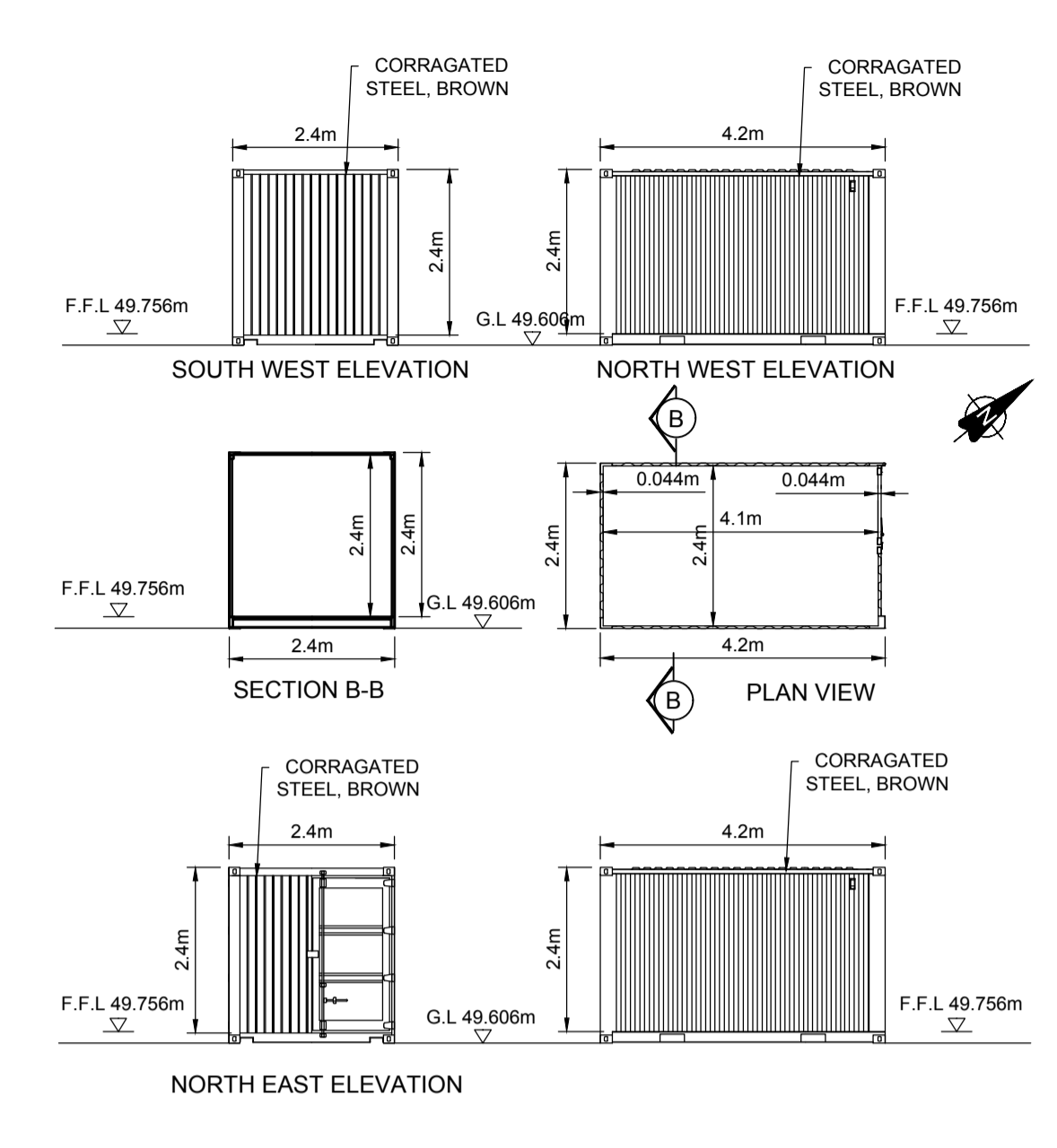
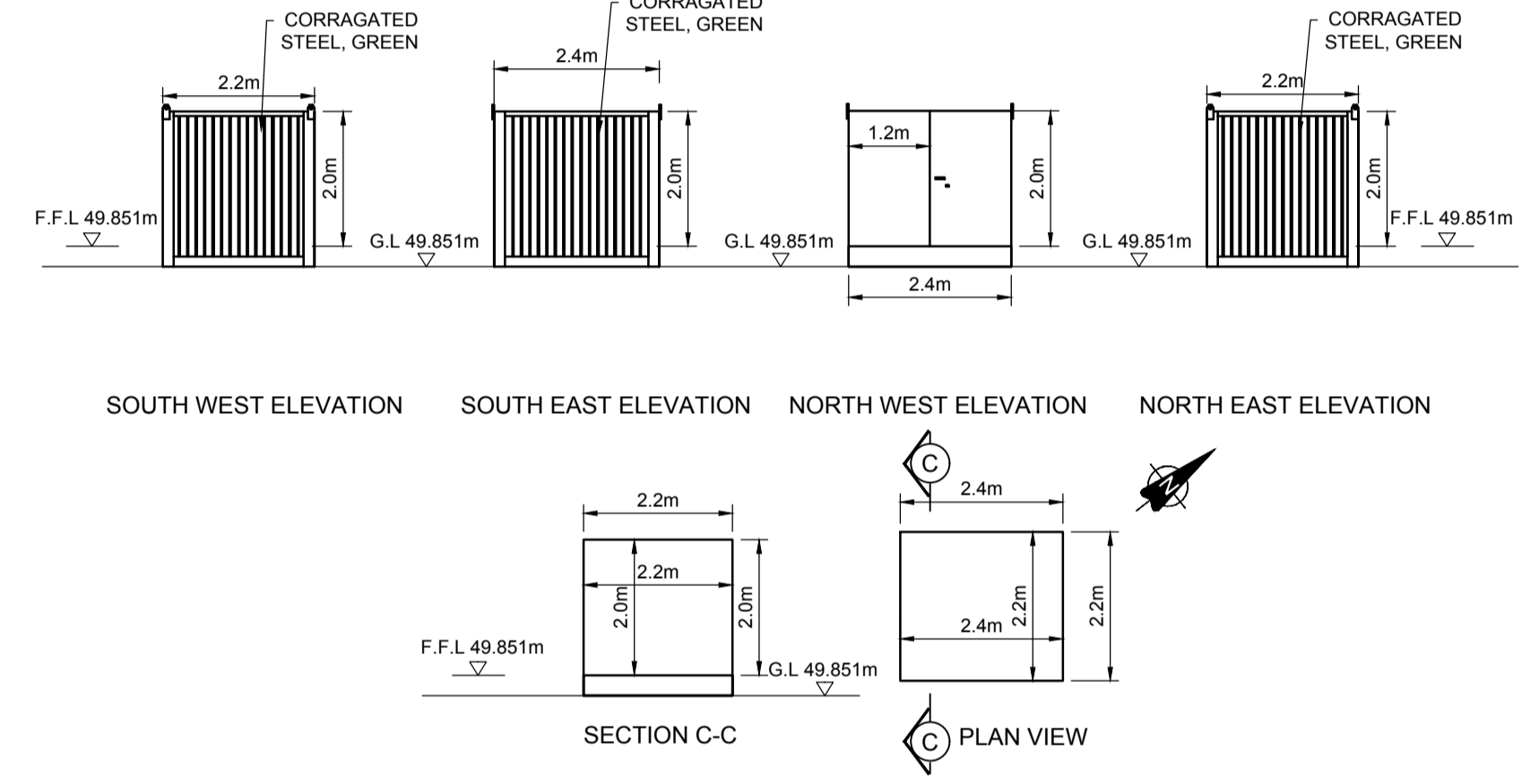
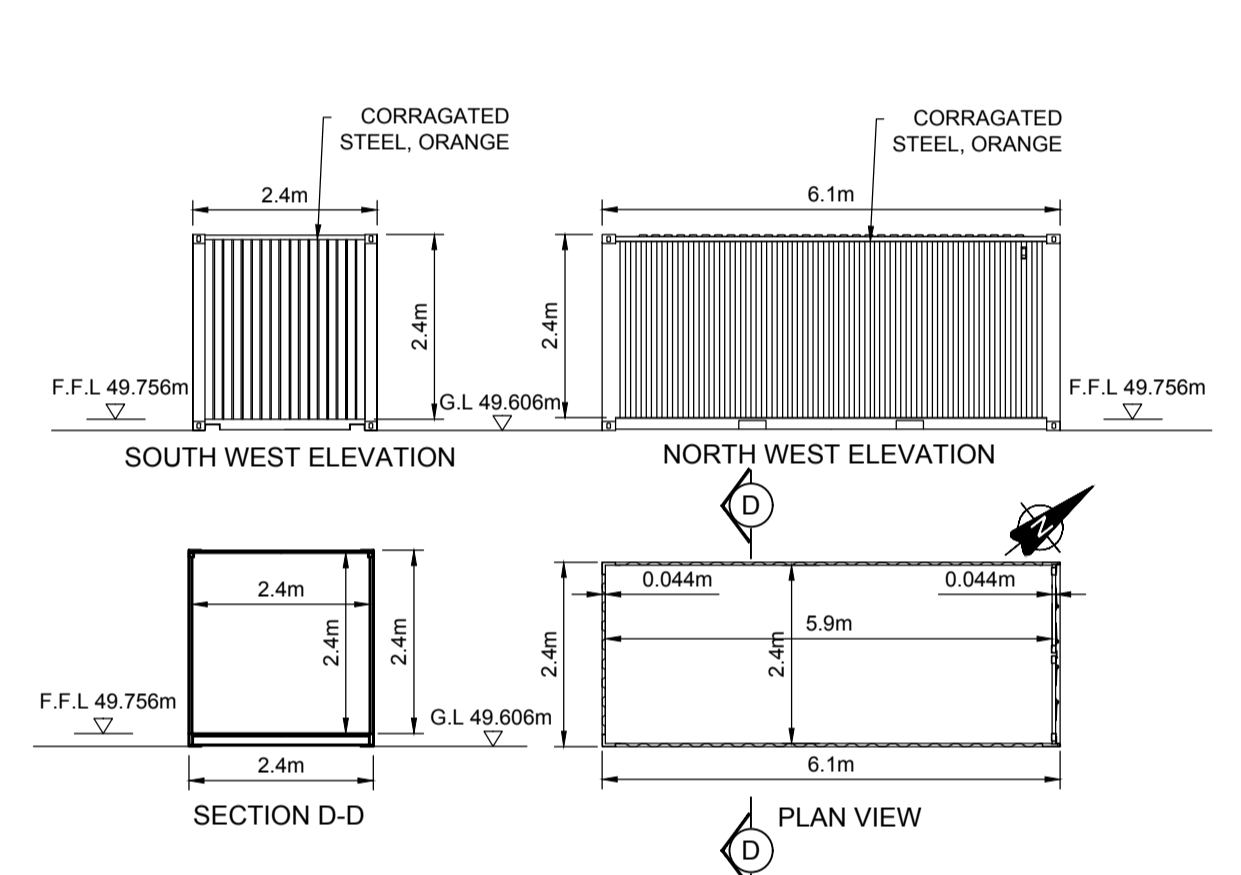
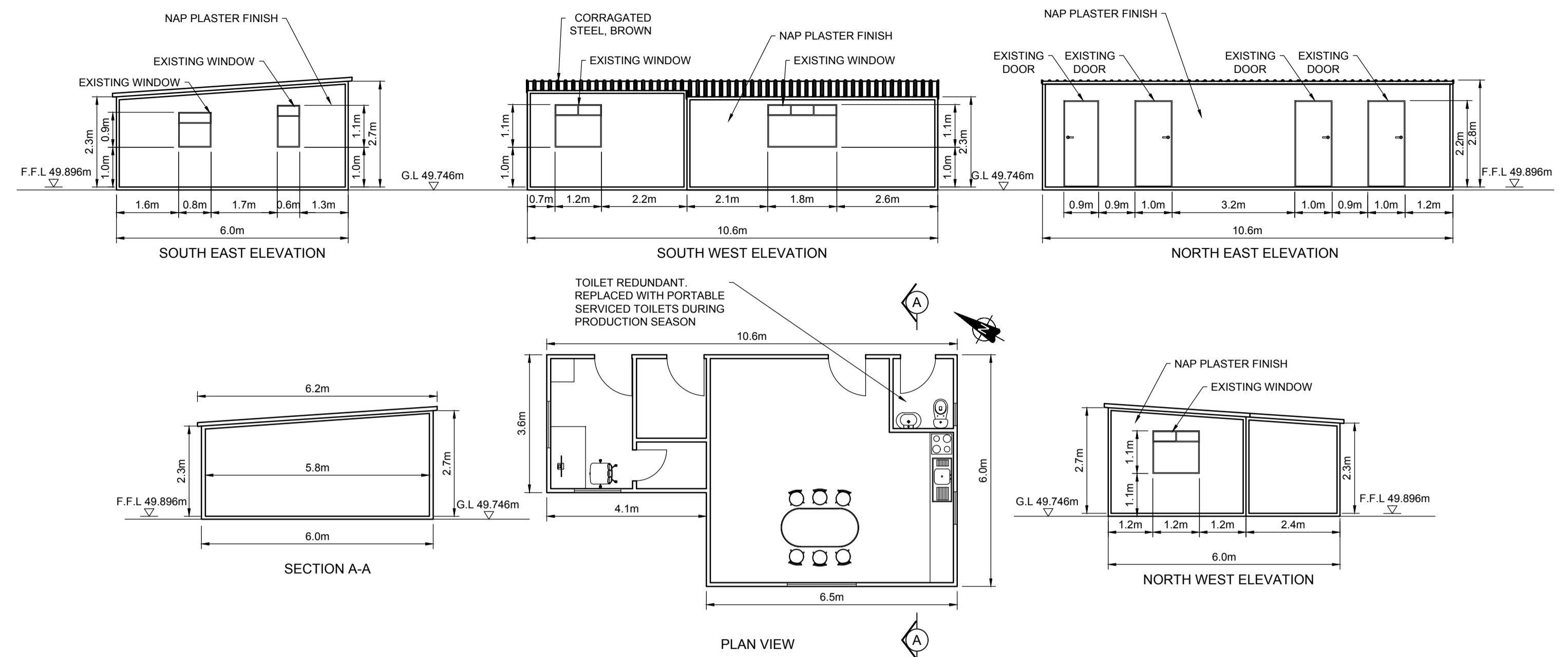


- NOTES:**
1. THIS DRAWING IS FOR PLANNING APPLICATION PURPOSES ONLY.
 2. DRAWING NOT TO BE SCALED. FIGURED DIMENSIONS ONLY TO BE USED.
 3. ALL LEVELS TO MALIN HEAD METRES ABOVE DATUM



Project: **SUBSTITUTE CONSENT APPLICATION LEMONAGHAN BOG, CO OFFALY**

REVISION	By	Date	Chk'd	Title: BUILDINGS AND STRUCTURES	
				Dimensions in METRES	
				Scale: 1:100 @ A1	
				Drawn By: KM	19/03/2020
				Checked By: PN	20/03/2020
				Approved By: DK	21/05/2020

BORD NA MÓNA
Naturally Driven
Bord Na Móna Engineering Department
LEASIG, TULLAMORE CO. OFFALY
Tel: 057 9345900 Fax: 057 9345160

Drawing No. **SC-0500-LM-DR08** Revision: **1** Sheet **1** of **1**